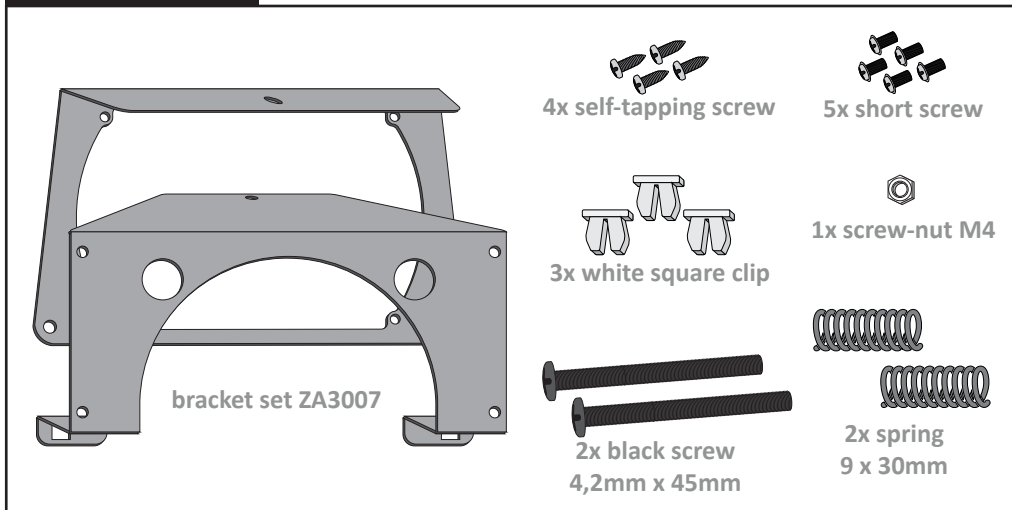


ZA3007

Mounting hardware-kit for mounting one headlight of CR-3024. All brackets are mounted to the back of the headlight. The hood mounting method varies by model.



CONTENT OF THE BOX:



FENDT FARMER, FENDT GT:

