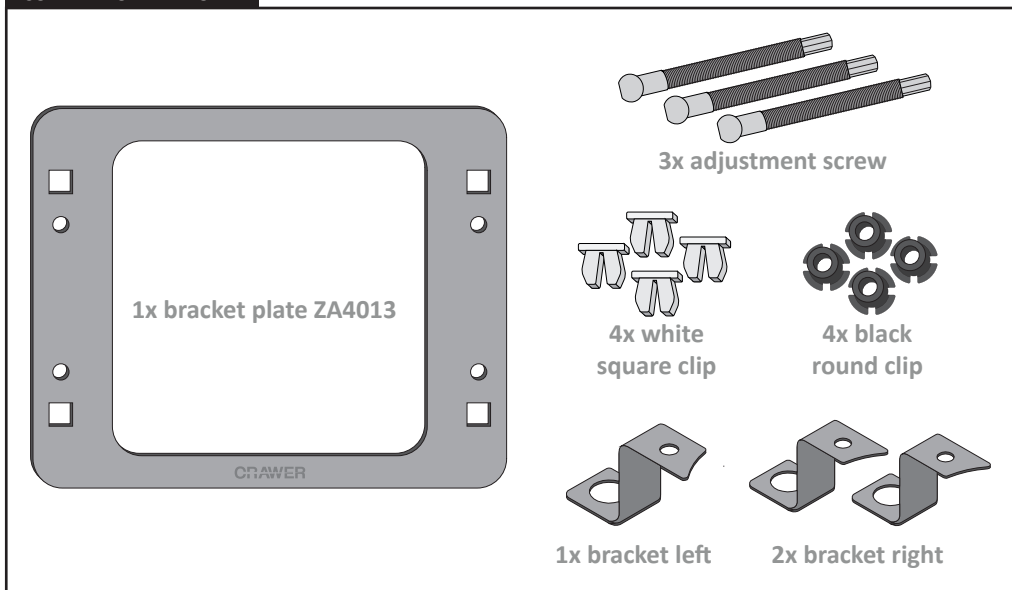


ZA4013

Mounting hardware-kit for mounting one headlight of CR-3022. All brackets are mounted to the back of the headlight. The hood mounting method varies by model.

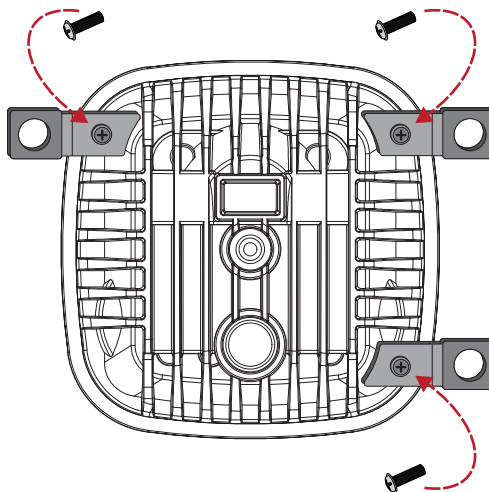
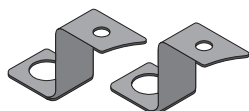


CONTENT OF THE BOX:



ZETOR: (STEP 1)

Screws needed from light package:



(STEP 2):

